

Easy Step-By-Step Instructions for W/S/SW-450 Presidential Plus Lectern Assembly Featuring Quickfit-Expando 6 Connectors

The Presidential Plus Lectern is designed for easy assembly. If you have any questions about assembling or using your new sound system, or if you want more information about accessories, call AmpliVox's customer service line.

The lectern is carefully packed to minimize shipping damage. If your unit was damaged in shipping call our toll-free customer service line or visit our web site at <http://www.ampli.com>

1-800-267-5486



Packing List:

- Reading Table
- Bottom Panel
- 2 Side Panels, left and right
- Front-Dual Speaker Panel
- Center Shelf
- Black Speaker Grille [S/SW450]
- Hand Held Microphone [S/SW450]
- Microphone Cable [S/SW450]
- Gooseneck [S/SW450]
- Shock Mount Microphone Holder [S/SW450]
- Amplifier [S450]
- Wireless Amplifier [SW450]

Hardware :

- 14 Quickfit-Expando 6 Connectors [pre-installed]
- 14 Push-in Quickfit 6 Expanding dowels
- 4 Minibloc Connectors[pre-installed]
- 8 Minibloc Screwpins
- 4 Plate Casters [2 Locking]
- 16 #10 x 3/4 PPH Screws

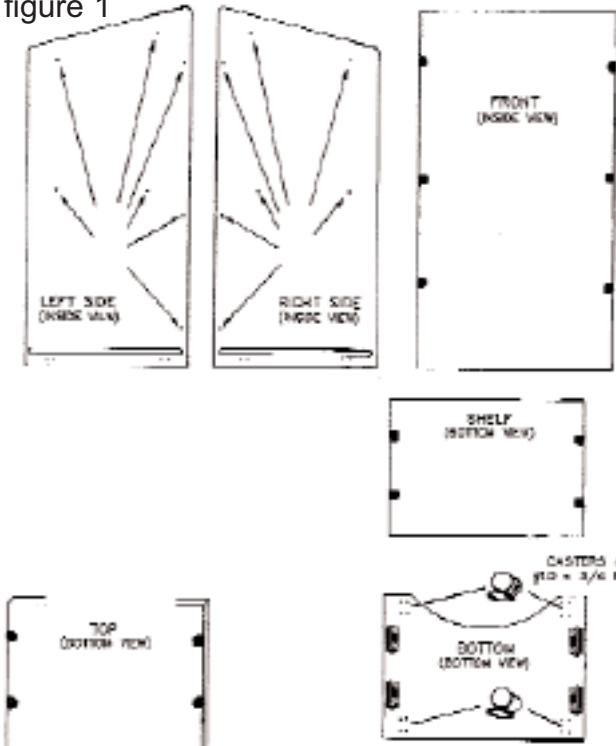
Tools Needed :

- Phillips Screwdriver

POWER TOOLS ARE NOT RECOMMENDED



figure 1



NOTES ON ASSEMBLY

Use CAUTION during assembly board edges can be sharp and may chip if mishandled. Remove staples from carton and use carton to set parts on during assembly.

ASSEMBLY INSTUCTIONS

- 1. Unpack all the pieces.** Be sure to save the packing and the box in case you need to return the lectern. Check that you have all the pieces and that they are not damaged. [figure 1]
- 2. Insert the steel pins.** With your thumb [use phillips screwdriver to ease insertion], push the steel pins into the holes in the two sides. Make sure the plastic collar is flush with the wood surface. [figure 2]

- 3. Inspect the Quickfit-Expando 6 Connectors.** The flat edge of the connector must be facing the outer edge of the board. Use phillips screwdriver to rotate, if needed.

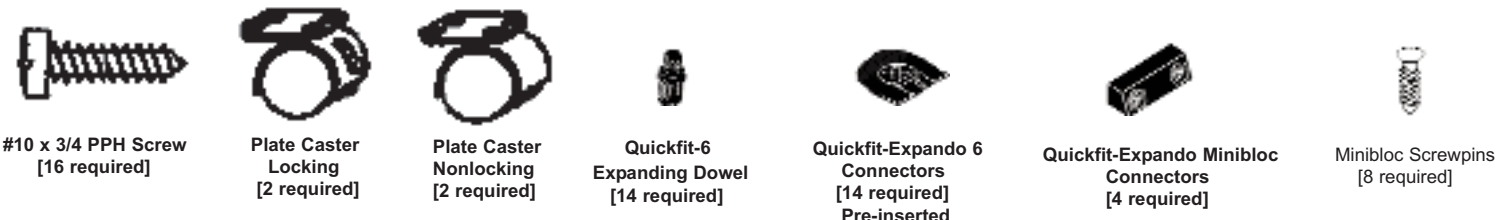
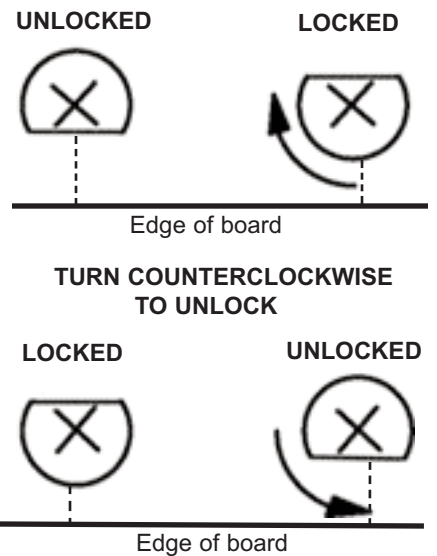
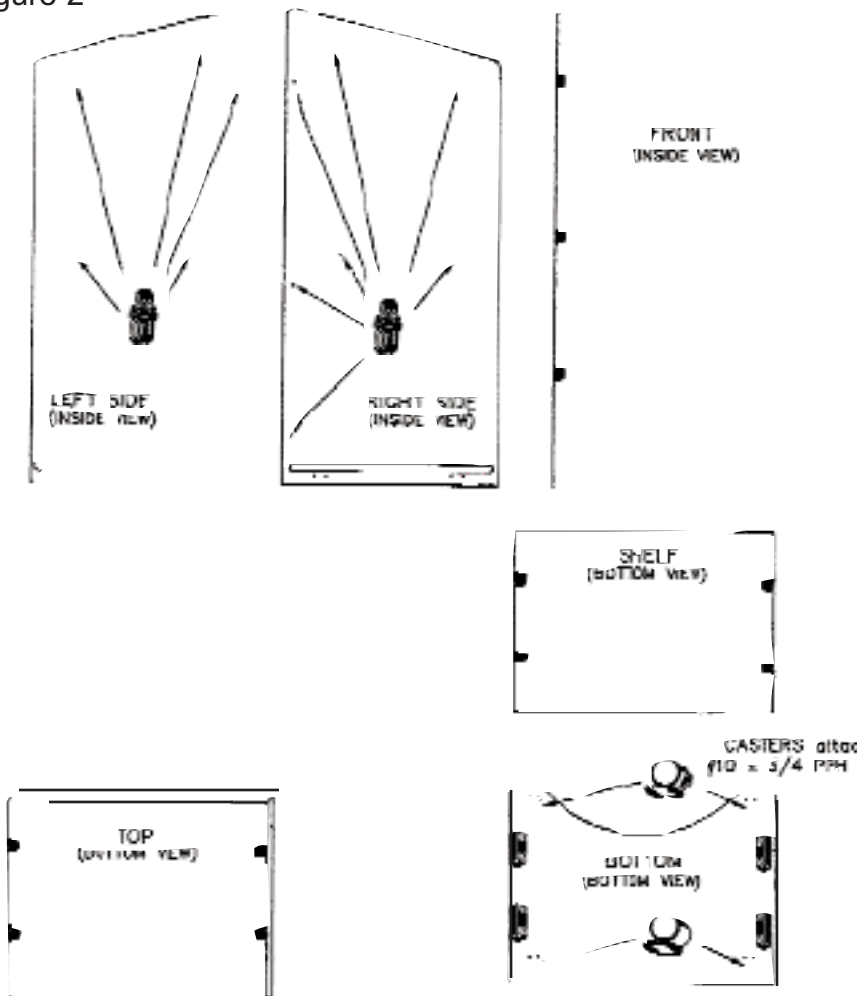


figure 2



4. Attach front panel to left side. With the left side panel laying on the work surface, attach the front panel by sliding the connectors over the steel pins. Both bottom unfinished edges should be on the side. Use a phillips screwdriver to tighten the 3 Quickfit-Expando 6 connectors. Turn 1/2 turn clockwise.

Do not overtighten the connectors. Overtightening can break the connectors. [figure 3]

5. Install bottom panel. Push Minibloc connectors in the bottom panel. Place bottom panel in the slot on the leftsidepanel, flat unfinished edge against the front panel. Using a phillips screwdriver, install 4 Minibloc Screwpins through the Minibloc holes into the predrilled holes in the side panel. [figure 4]

6. Attach right side panel. Place the right side onto the front and bottom panel, tighten the 3 Quickfit-Expando 6 connectors in the front panel and install 4 Minibloc Screwpins in the 2 Minibloc connectors on the bottom panel. Carefully roll unit onto front panel.

7. Install reading table and shelf. Slide reading table over steel pins and tighten 4 Quickfit-Expando 6 connectors. Slide shelf over steel pins and tighten 4 Quickfit-Expando 6 connectors. Install 2 locking casters on the finished side of the bottom panel and 2 non-locking casters using

figure 3

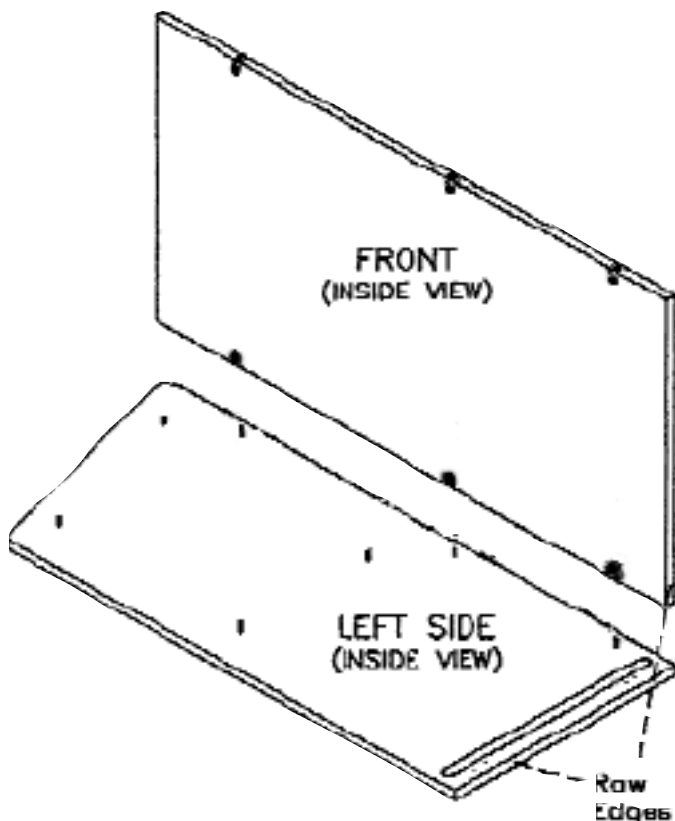


figure 4

