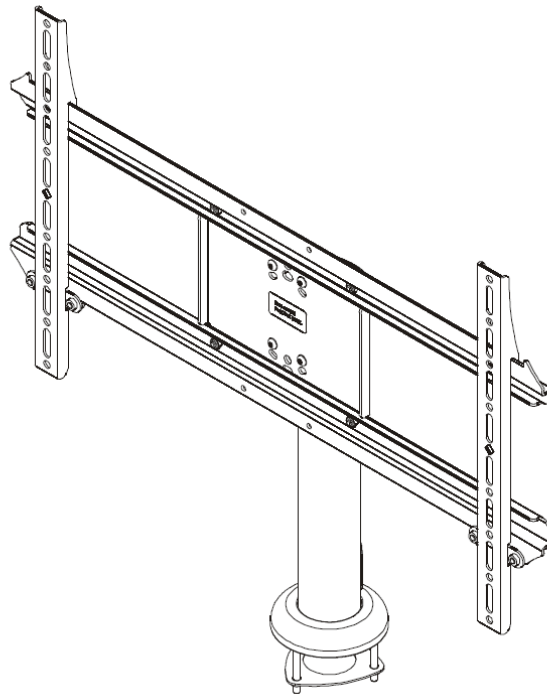




# Installation Manual

## SA0037 Monitor Table Mount

---



Thank you for choosing the **SA0037 MOUNTING BRACKET** from *AmpliVox Portable Sound Systems*.

Please refer to this manual as you enjoy the unique capabilities of another quality product from *AmpliVox Portable Sound Systems*.

We encourage you to visit our website [www.ampli.com](http://www.ampli.com) to register your product for its warranty coverage, sign up to receive our newsletter, download our catalog, and learn more about the complete line of *AmpliVox* audio visual products, including portable PA systems, and lecterns.

### TABLE OF CONTENTS

|                                |   |
|--------------------------------|---|
| SAFETY INSTRUCTIONS .....      | 2 |
| DIMENSIONS .....               | 3 |
| TOOLS REQUIRED .....           | 3 |
| PARTS .....                    | 3 |
| ASSEMBLY TO DESK / TABLE ..... | 4 |
| DISPLAY INSTALLATION .....     | 5 |
| CABLE MANAGEMENT .....         | 6 |
| WARRANTY .....                 | 7 |

## DISCLAIMER

AmpliVox Portable Sound Systems, operates a policy of continuous development. AmpliVox reserves the right to make changes and improvements to any of the products described in this document without prior notice.

Under no circumstances shall AmpliVox be responsible for any loss of data or income or any special, incidental, consequential or indirect damages howsoever caused.

AmpliVox makes no claim that the information contained herein covers all details, conditions or variations, nor does it provide for every possible contingency in connection with the installation or use of this product.



## IMPORTANT SAFETY INSTRUCTIONS



**WARNING:** A WARNING alerts you to the possibility of serious injury or death if you do not follow the instructions.



**CAUTION:** A CAUTION alerts you to the possibility of damage or destruction of equipment if you do not follow the corresponding instructions.



**WARNING:** Failure to read, thoroughly understand, and follow all instructions can result in serious personal injury, damage to equipment, or voiding of factory warranty! It is the installer's responsibility to make sure all components are properly assembled and installed using the instructions provided.



**WARNING:** Failure to provide adequate structural strength for this component can result in serious personal injury or damage to equipment! The mounting surface must be a minimum of 3/4" in depth for medium-density fibreboard or particle board. If mounting to another type of surface, make sure surface can hold up to four times the combined weight of all equipment prior to mounting the STLU to surface!



**WARNING:** Exceeding the weight capacity can result in serious personal injury or damage to equipment! It is the installer's responsibility to make sure the combined weight of all components located between the STLU up to (and including) the display does not exceed 125 lbs (56.7 kg). Use with products heavier than the maximum weight indicated may result in collapse of the mount and its accessories causing possible injury.



**WARNING:** TO REDUCE THE RISK OF BURNS, FIRE, ELECTRIC SHOCK, OR INJURY TO PERSONS, rotational stop must be in place prior to display installation! If stop is not in place, the cables may be damaged if the display is over-rotated! Always make sure rotational stop is in place before proceeding with installation!



**WARNING:** Use this mounting system only for its intended use as described in these instructions. Do not use attachments not recommended by the manufacturer.



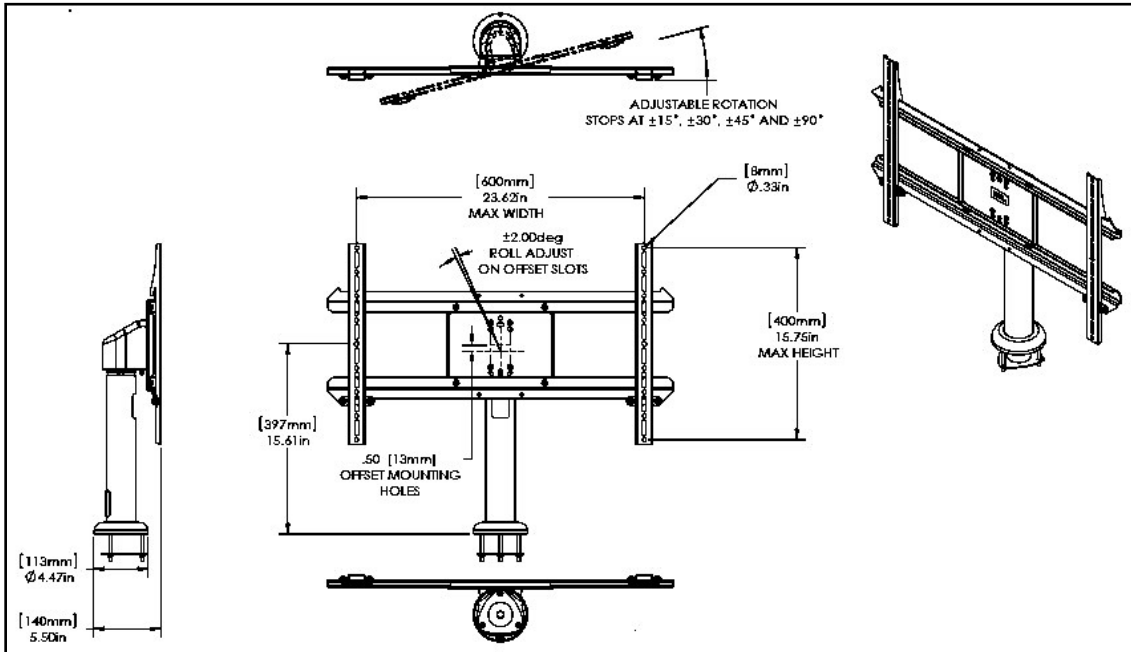
**WARNING:** Never operate this mounting system if it is damaged. Return the mounting system to a service center for examination and repair.



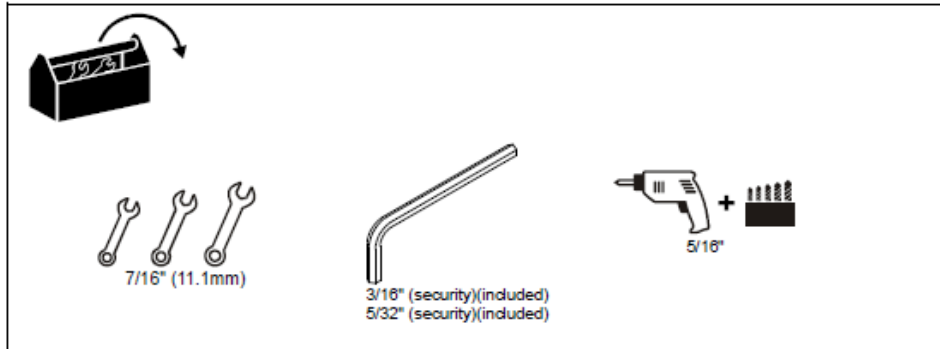
**WARNING:** Do not use this product outdoors.

**--SAVE THESE INSTRUCTIONS--**

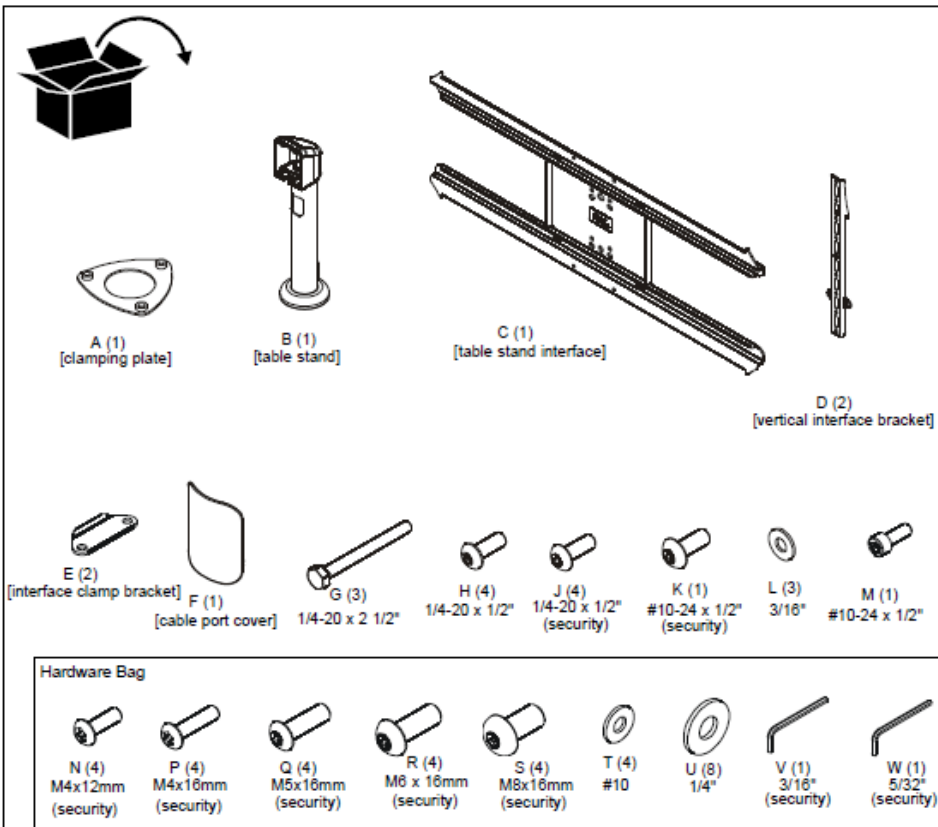
# DIMENSIONS



# TOOLS REQUIRED FOR INSTALLATION



# PARTS



## Assembly to Desk

1. Use four 1/4-20 x 1/2" button head cap screws (H) to secure table stand (B) to table stand interface (C). (See Figure 1)

**NOTE:** If roll adjustment is desired, install through screws through rotational slots rather than the standard slots. (See Figure 1)

**NOTE:** In order to achieve a +/- 90° rotation radius while using the rotational slots, the rotational stop adjustment screw must be removed and replaced with #10-24 x 1/2" socket head cap screw (M). (See Figure 1)

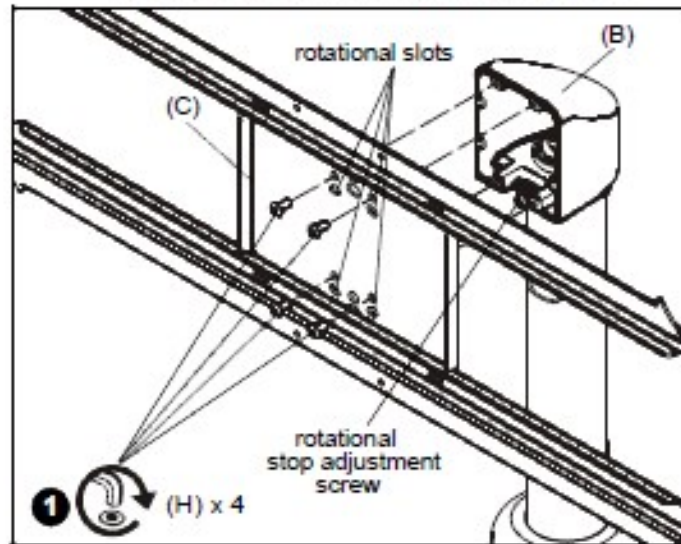


Figure 1

2. Determine mounting location by setting table stand on desk and experimenting with desired rotation capabilities.

**NOTE:** Rotation radius can be set to be either +/- 15°, 30°, 45°, or 90°. See Dimensions graphic for details.

3. Use clamping plate (A) as a template to mark locations for the three holes to be drilled at desired mounting location.



**WARNING:** Failure to provide adequate structural strength for this component can result in serious personal injury or damage to equipment! The mounting surface must be a minimum of 3/4" in depth for medium-density fibreboard or particle board. If mounting to another type of surface, make sure surface can hold up to four times the combined weight of all equipment prior to mounting the STLU to surface!

4. Drill three 5/16" holes at locations marked in Step 3. (See Figure 2)

**NOTE:** If cables are going to be routed through the table, an additional hole needs to be drilled in center of clamping plate (A). See Cable Management Section for details.

5. (Optional) If cables are going to be routed through the desk, drill an additional hole in the center of the clamping plate that is large enough to account for all cables that will be routed through the desk. (See Figure 2)

**NOTE:** One hole should be centered at the front of the mount.

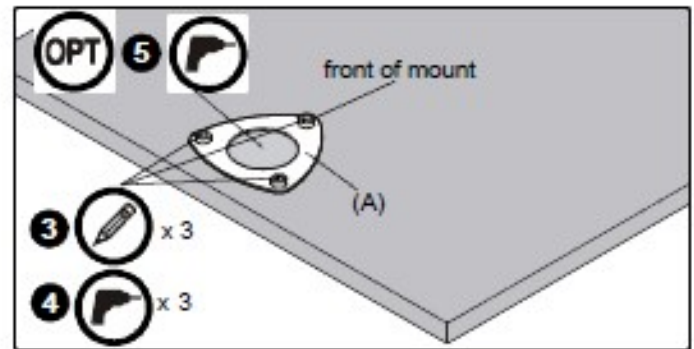


Figure 2

6. Lift lower cover on table stand to expose holes on lower plate. (See Figure 3)
7. Use three 1/4-20 x 2 1/2" hex head cap screws (G) and three 3/16" washers (L) to secure table stand (B) to desk and clamping plate (A). (See Figure 3)

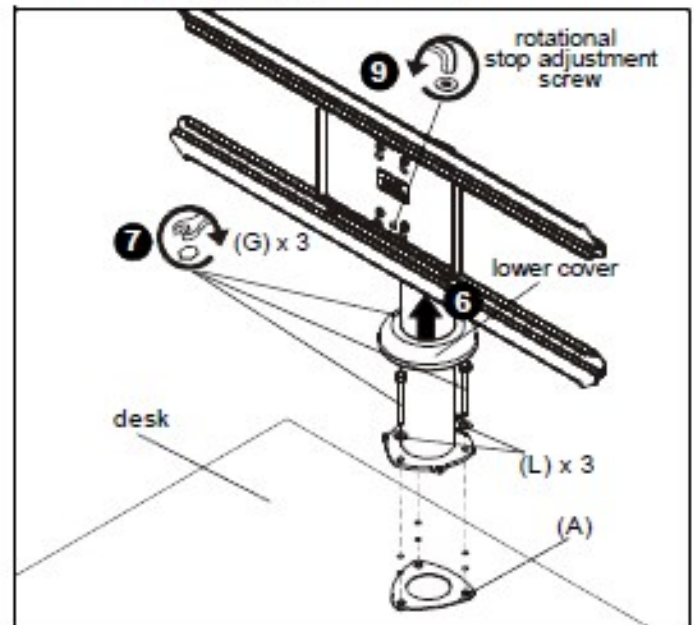


Figure 3

**IMPORTANT ! :** Provided screws (G) can be used to install on surfaces up to 1 5/8" in depth. For deeper tables, longer 1/4-20" screws that are not provided must be used.

8. Secure lower cover to table stand (B) using #10-24 x 1/2" security screw (K). (See Figure 4)



Figure 4

**NOTE:** Prior to installing display, the rotation radius should be adjusted. Once the display is connected, it will no longer be possible to adjust the rotational stop without removing the display from the mount.

- Use the 5/32" security hex key (W) to loosen rotational stop adjustment screw until desired radius is achieved. (See Figure 3) and (See Figure 5)

**WARNING:** TO REDUCE THE RISK OF BURNS, FIRE, ELECTRIC SHOCK, OR INJURY TO PERSONS, rotational stop must be in place prior to display installation! If stop is not in place, the cables may be damaged if the display is over-rotated! Always make sure rotational stop is in place before proceeding with installation!

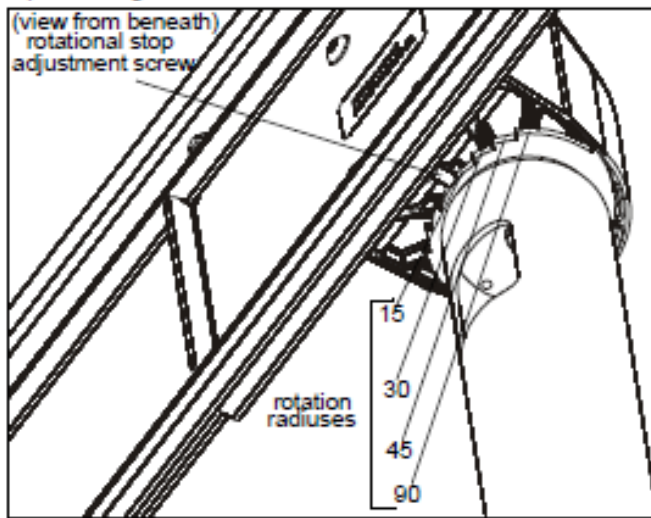


Figure 5

## Display Installation

- Lay display face down on protective surface.

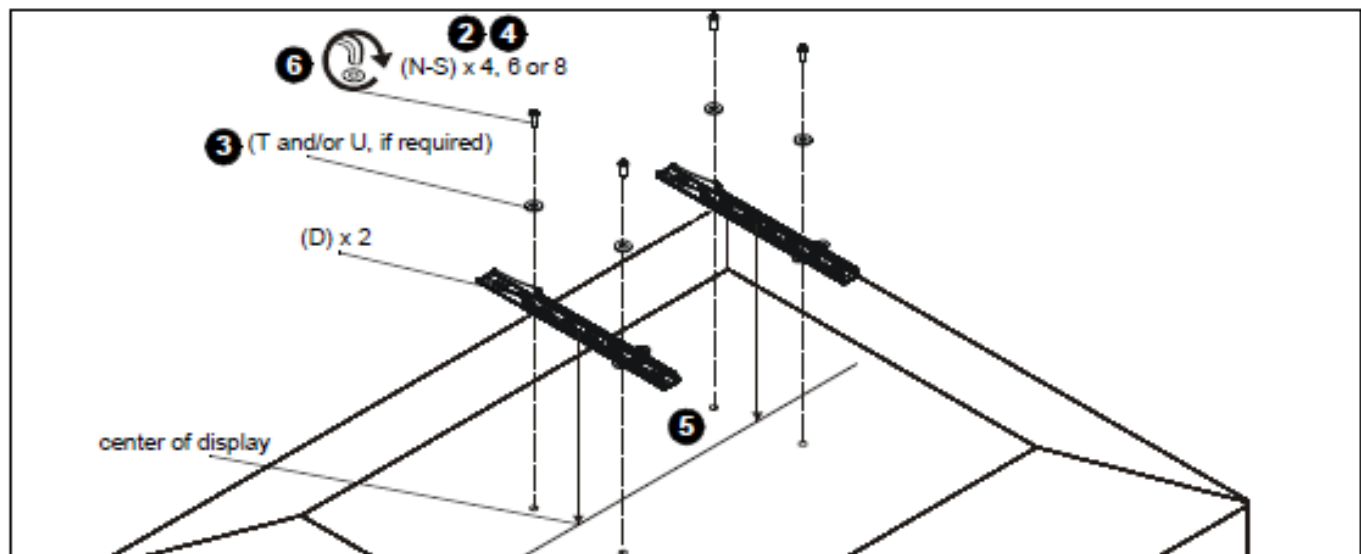


Figure 6

**CAUTION:** Using screws of improper diameter may damage your display! Proper screws will easily thread into display mounting holes.

- Select screw diameter by examining hardware (M-R) (8mm, 6mm, 5mm, or 4mm) and comparing with mounting holes on display. (See Figure 6)
- Select washers:
  - Refer to the Table 1-1 to determine which washers (S and T) to use for display installation.

**NOTE:** No washers are required with installation using M8 diameter screws.

Table 1-1: Washer Usage

|             | M4 | M5 | M6 |
|-------------|----|----|----|
| #10 (T)     | X  |    |    |
| 1/4-20" (U) | X  | X  | X  |

**CAUTION:** Using screws of improper length may damage your display! Proper screws will have adequate thread engagement without contacting bottom of display mounting holes.

- Select screw length: (for M4 screws only)
  - Using your hand, insert M4x12mm button head security screw (N) through vertical interface bracket (D), washers (T and U), into display mounting hole. Do NOT thread screw into hole at this time.
  - Proper screw length requires base of screw head to protrude above flat washer a distance equal to or greater than the screw diameter. If screw length is inadequate, use M4x16mm screw (P). Select shortest screw which will protrude the required distance.

5. Place vertical interface brackets (D) on display, ensuring: (See Figure 6)
  - Upper hooks are towards top of display.
  - Center of brackets (D) are as close to the center of the back of display as possible after being installed. Center of bracket is indicated by the diamond-shaped hole.
6. Install selected screws through washers (T and/or U, if required) vertical interface bracket (D) and into display mounting holes. (See Figure 6)
7. Hang display onto top rail of table stand interface (C) using hooks on top of vertical interface brackets (D). (See Figure 7)
8. Gently set back of display against lower rail of table stand interface. (See Figure 7)

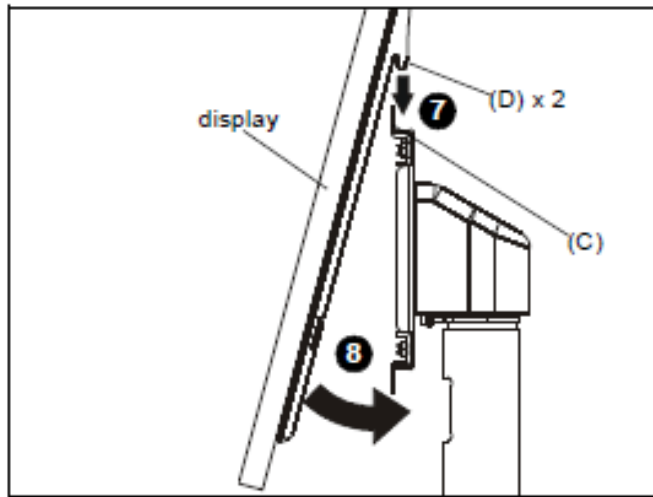


Figure 7

9. Use four 1/4-20 x 1/2" button head security cap screws (J) and two interface clamp brackets (E) to secure vertical interface brackets (D) to table stand interface (C). (See Figure 8)

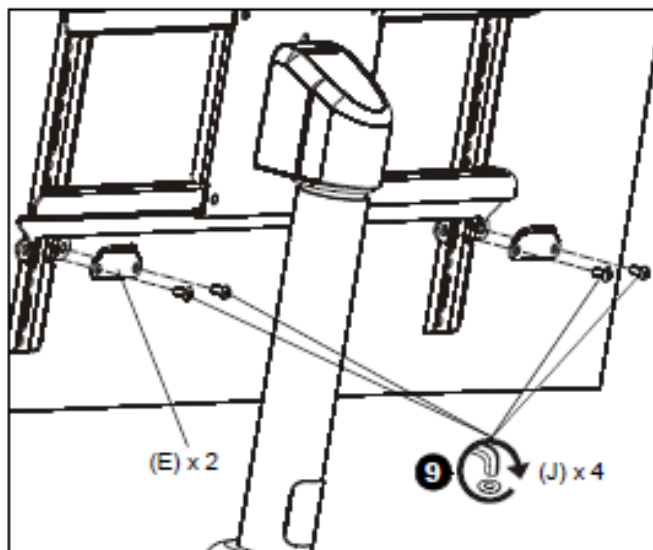


Figure 8

## Cable Management

The STLU can be set up for two types of Cable Management. One calls for the cables to be routed strictly through the pole portion of the table stand. The other routes the cables through the pole and through a pre-drilled hole in the desk.

### Cable Management (pole only)

1. Route cables from display into upper hole on pole portion of table stand (B). (See Figure 9)
2. Route cables down the pole and out of lower hole. (See Figure 9)

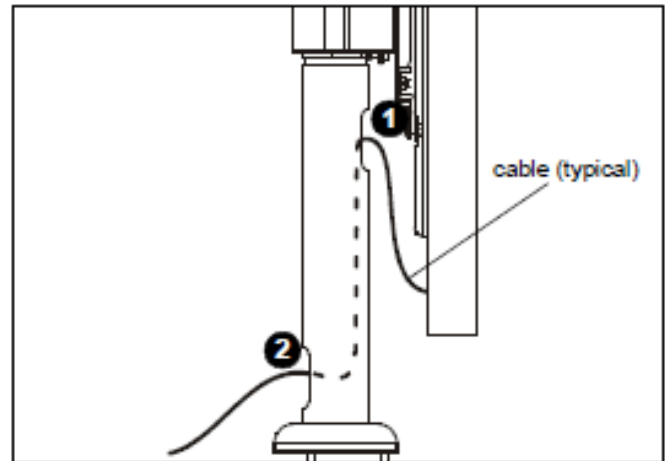


Figure 9

### Cable Management (through desk)

1. Route cables from display into upper hole on pole portion of table stand (B). (See Figure 10)
2. Route cables down the pole and through hole drilled in desk during desk installation. (See Figure 10)
3. Install cable port cover (F) into lower hole on pole portion of table stand (B). (See Figure 10)

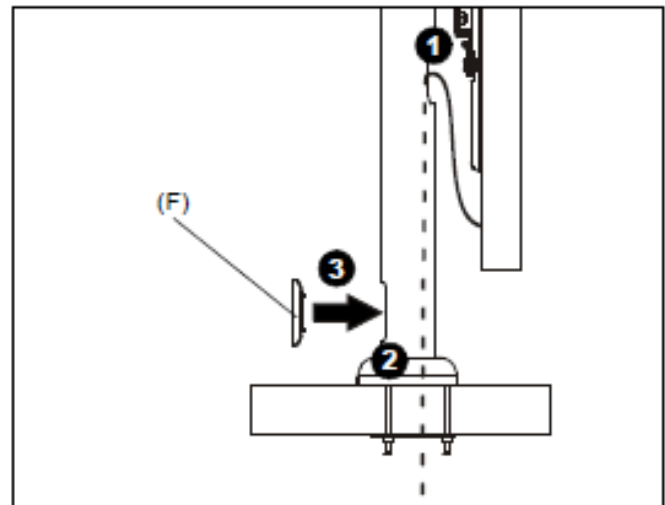


Figure 10

## WARRANTY

### Limited One (1) -Year Warranty

AmpliVox warrants this product to be free from defects in materials and workmanship (subject to the terms set forth below) for a period of one(1) year from the date of purchase (“Warranty Period”).

During the Warranty Period, AmpliVox will repair or replace (at AmpliVox’s discretion) this product or any defective parts (“Warranty Service”).

Repair or replacement under the terms of this warranty does not give right to any extension or a new beginning of the period of warranty.

## CLAIMS UNDER THE WARRANTY

To obtain Warranty Service, **contact AmpliVox (800-267-5486)** to be assigned a **Repair Number (RN#)**. After receiving a RN#, the defective unit is to be returned to AmpliVox in either its original packaging or packaging affording an equal degree of protection. You will bear the cost of shipping the product to AmpliVox. If the product is covered by the warranty, AmpliVox will bear the cost of shipping product back to you after the completion of service under this warranty.

**Return shipping will be charged to you for products not covered by the warranty or requiring no warranty repair.**

The following information must be presented to obtain Warranty Service: **(a)** the RN# must be clearly and legibility marked on the outside of shipping carton, **(b)** proof of purchase, which clearly indicates the name and address of the seller, the date of purchase and the product type, which is evidence that this product is within the Warranty Period. Please further include **(c)** your return address, **(d)** daytime telephone number, and **(e)** reason for return.

## LIMITATION OF WARRANTY

This warranty is only valid for the original purchaser and will automatically terminate prior to expiration if this product is sold or otherwise transferred to another party. The warranty provided by AmpliVox in this statement applies only to products purchased for use, and not for resale. It does not apply to open box purchases, which are sold “as is” and without any warranty. AmpliVox disclaims liability for any modifications, improper installation and/or installations over the specified weight capacity. This warranty is invalid if the factory-applied serial number, date code label, or product label has been altered or removed from this product. This Warranty does not cover cosmetic damage or damage due to misuse, abuse, negligence, Acts of Nature, accident, disassembling or modification of, or to any part of, the product. This Warranty does not cover damage due to improper operation, maintenance or installation, or attempted repair by anyone other than AmpliVox. Any unauthorized repairs will void this warranty.

REPAIRS OR REPLACEMENTS AS PROVIDED UNDER THIS WARRANTY ARE THE EXCLUSIVE REMEDY OF THE CONSUMER. AMPLIVOX SHALL NOT BE LIABLE FOR ANY INCIDENTAL OR CONSEQUENTIAL DAMAGES FOR BREACH OF ANY EXPRESS OR IMPLIED WARRANTY ON THIS PRODUCT. EXCEPT TO THE EXTENT PROHIBITED BY LAW, THIS WARRANTY IS EXCLUSIVE AND IN LIEU OF ALL OTHER EXPRESS AND IMPLIED WARRANTIES WHAT SO EVER, INCLUDING BUT NOT LIMITED TO THE WARRANTY OF MERCHANTABILITY AND FITNESS FOR A PRACTICAL PURPOSE.

**NOTE!** This warranty gives you specific legal rights. You may have other rights which vary from location to location. Some jurisdictions do not allow the exclusion or limitation of incidental or consequential damages or implied warranties, so the above exclusions may not apply to you. This warranty does not affect your legal (statutory) rights under your applicable national or local laws.

NOV.,2017