

Pneumatic Height Sit-to-Stand Lectern / Desk



Studies show that alternating from a sitting to standing position throughout the day is ideal for good health

Easy Height Adjustment with the Touch of Your Foot

- The new AmpliVox non-electric, single post, contemporary design Lectern/Desk has the ability to move up and down from sitting to standing position easily, with just the press of your foot.
- The sculpted work surface with rounded corners moves smoothly and quietly from seated (28") to full standing height (42.5"). This allows the user to transition from use as a sitting desk to use as a standing desk or lectern.
- Either sitting or standing for long periods can lead to various health problems - with our sit-to-stand desk allows you to alternate throughout the day!
- Large work surface provides more than ample space for laptops, notebooks and other materials.
- Tilt the work surface into 4 different positions using its locking, single adjustment lever.
- Easily move from room to room with our "Tilt and Roll" casters.



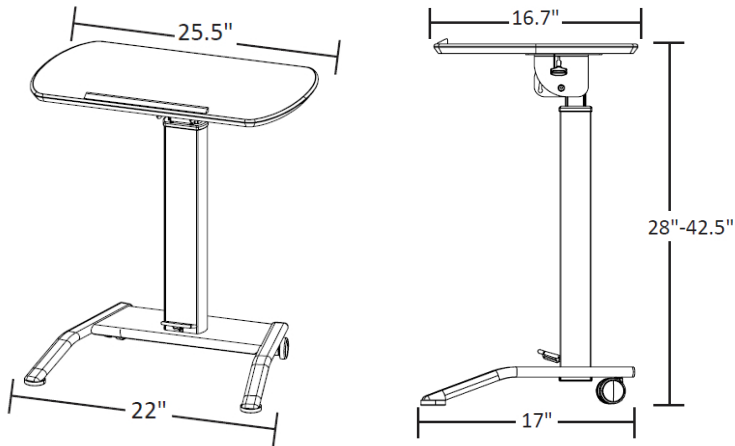
Easily and quickly transition from sitting desk to standing desk or lectern with that tap of your foot!



Tilt the work surface into 4 different positions using its locking, single adjustment lever.

SN3405 Pneumatic Height Adjustable Sit-to-Stand - Lectern / Desk

FEATURES	<p>Height adjusts easily with pneumatic foot pedal ①</p> <p>Sculpted work surface with rounded corners ②</p> <p>Work surface tilts into 4 different positions using it's locking, single adjustment lever ③</p> <p>Tilt and roll casters that allow easy portability ④</p> <p>Steel and aluminum frame</p> <p>Work surface has rubber trim and paper stop lip</p> <p>4 tilt positions: 10°, 20°, 30°, 90°</p> <p>Has 2 - 2" Casters and 2 Rubber Feet ⑤</p>
MATERIALS/ COLORS	<p>Steel and Aluminum base</p> <p>Tabletop: MDF, white melamine surface with rubber trim</p> <p>Powder Coated finish</p>
WARRANTY	1 year
DIMENSIONS	45"H x 24"W x 24"D, Some assembly required



Model #	Product Description	Wt.	Ship Wt.	MSRP
SN3405	Height Adjustable Lectern / Desk	23 lbs.	27 lbs.	\$315.00



AmpliVox Portable Sound Systems • 650 Anthony Trail, Suite D, Northbrook, IL 60062-2512
www.ampli.com • info@ampli.com • Fax: (800) 267-5489 • Phone: (800) 267-5486



Prices and specifications subject to change without notice.